

Compact Bench-top Type Multipurpose Power Supply for 230 V Line Voltage Multiple Outputs of ± 5 V, ± 15 V and Negative High Voltage

FEATURES

- Compact bench-top type
- Multiple outputs of ± 5 V, ± 15 V and high voltage (-200 V to -1500 V)
- High stability

The C3830-22 is a bench-top type multipurpose power supply incorporating a high voltage power supply that provides maximum output of -1.5 kV for a photomultiplier tube and constant voltage power supplies that provide ± 5 V and ± 15 V for peripheral devices such as Hamamatsu preamplifiers and photon counting units. The four digit digital voltmeter on the front panel shows the output value of high voltage with high accuracy.



SPECIFICATIONS

Parameter	High Voltage Power Supply Section	Low Voltage Power Supply Section	
		± 5 V Power Supply Section	± 15 V Power Supply Section
Output Voltage	-200 V to -1500 V (variable)	± 4.75 V to ± 5.25 V (fixed)	± 14.25 V to ± 15.75 V (fixed)
Maximum Output Current	1 mA	500 mA	200 mA
Input Regulation [Ⓐ]	Typ. ± 0.005 %	± 0.005 %	± 0.015 %
Load regulation [Ⓑ]	Typ. ± 0.01 %	± 0.5 %	± 0.5 %
Ripple / noise [Ⓒ] (peak to peak)	Typ. 0.005 %	0.16 %	0.06 %
Drift [Ⓓ]	Typ. ± 0.03 %/h	± 0.05 %/h	± 0.05 %/h
Temperature Coefficient	Typ. ± 0.03 %/°C	± 0.03 %/°C	± 0.03 %/°C
Output Receptacle	One SHV receptacle	Two 6-pin DIN connectors (HOSIDEN TCS0260-01-1201)	
High Voltage Output Monitor	4-digit display	—	—
High Voltage Output Monitoring Accuracy	Typ. ± 0.5 %	—	—
Input Line Voltage	AC 230 V ± 23 V		
Input Line Voltage Frequency	50 Hz / 60 Hz		
Power Consumption [Ⓓ]	Approx. 40 V·A		
Operating Ambient Temperature / Humidity Range [Ⓔ]	0 °C to +40 °C, 90 % RH Max.		
Characteristics Guaranteed Temperature / Humidity Range [Ⓔ]	+5 °C to +35 °C, 85 % RH Max.		
Storage Temperature / Humidity Range [Ⓔ]	-20 °C to +50 °C, 95 % RH Max.		
Dimensions [Ⓕ] (W × H × D)	255 mm × 54 mm × 230 mm		
Weight	Approx. 2.8 kg		

Ⓐ: For 10 % change in line voltage

Ⓑ: For 0 % to 100 % change in load

Ⓒ: At the maximum output

Ⓓ: After 30 minute warm-up

Ⓔ: Without moisture condensation

Ⓕ: Excluding projecting parts

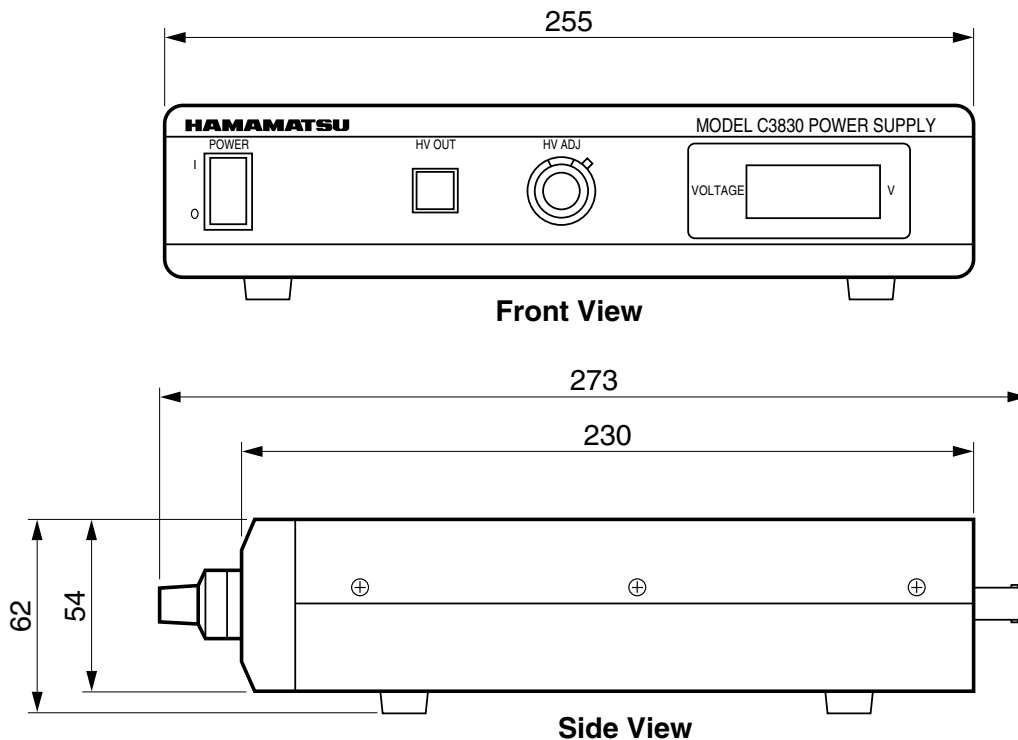
CE : Conforms to the EMC directive (89/336/EEC) / EN61326:1997 + A1:1998 + A2:2001 Class B, and the low voltage directive (73/23/EEC) / EN61010-1:2001

COMPACT BENCH-TOP TYPE REGULATED DC POWER SUPPLY C3830-22

ACCESSORIES

1. High voltage output cable (1.5 m long) terminated with SHV-P plugs (E1168-17) 1
2. AC power cable 1
3. Spare fuses 2
4. Low voltage power supply section mating plugs
 ±5 V, ±15 V mating plugs (6-pin DIN plugs, HOSIDEN TCP0566-71-5201) 2
5. Instruction manual 1

DIMENSIONAL OUTLINES (Unit: mm)



TACCA0016EC

HAMAMATSU

WEB SITE <http://www.hamamatsu.com>

HAMAMATSU PHOTONICS K.K., Electron Tube Center

314-5, Shimokanzo, Toyooka-village, Iwata-gun, Shizuoka-ken, 438-0193, Japan, Telephone: (81)539/62-5248, Fax: (81)539/62-2205

U.S.A.: Hamamatsu Corporation: 360 Foothill Road, P. O. Box 6910, Bridgewater. N.J. 08807-0910, U.S.A., Telephone: (1)908-231-0960, Fax: (1)908-231-1218 E-mail: usa@hamamatsu.com

Germany: Hamamatsu Photonics Deutschland GmbH: Arzbergerstr. 10, D-82211 Herrsching am Ammersee, Germany, Telephone: (49)8152-375-0, Fax: (49)8152-2658 E-mail: info@hamamatsu.de

France: Hamamatsu Photonics France S.A.R.L.: 8, Rue du Saule Trapu, Parc du Moulin de Massy, 91882 Massy Cedex, France, Telephone: (33)1 69 53 71 00, Fax: (33)1 69 53 71 10 E-mail: infos@hamamatsu.fr

United Kingdom: Hamamatsu Photonics UK Limited: 2 Howard Court, 10 Tewin Road Welwyn Garden City Hertfordshire AL7 1BW, United Kingdom, Telephone: 44-(0)1707-294888, Fax: 44(0)1707-325777 E-mail: info@hamamatsu.co.uk

North Europe: Hamamatsu Photonics Norden AB: Smidesvägen 12, SE-171-41 SOLNA, Sweden, Telephone: (46)8-509-031-00, Fax: (46)8-509-031-01 E-mail: info@hamamatsu.se

Italy: Hamamatsu Photonics Italia: S.R.L.: Strada della Moia, 1/E, 20020 Arese, (Milano), Italy, Telephone: (39)02-935 81 733, Fax: (39)02-935 81 741 E-mail: info@hamamatsu.it

TACC1029E01
JUL. 2003 IP